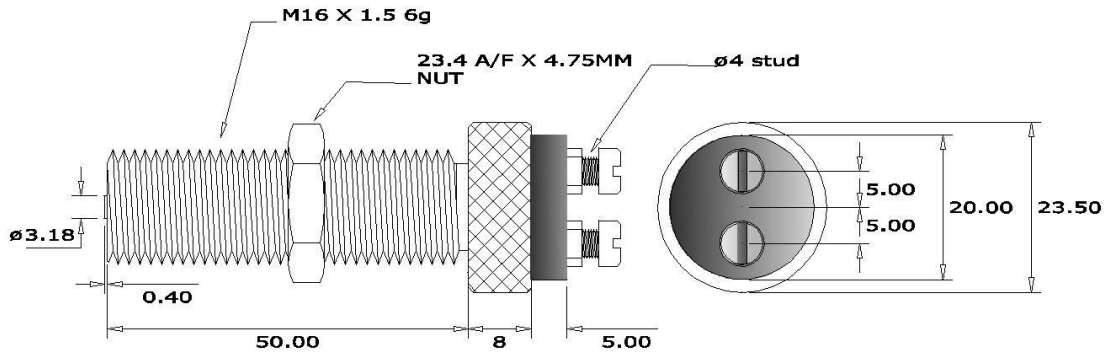




Magnetic Pick-up

ST-screw Terminal Series



Dimensions in mm unless otherwise stated

ICS Ltd Part Number: **STS-M1650-K-01**

Description: **Screw Terminal Magnetic Pick-up**

ISSUE

1.10

Body Specification

Main Body Thread: M16 x 1.5 6g
Body Material: Stainless Steel Grade 303
Locknut: M16 x1.5, 23.4mm AF x 4.75mm.
Locknut Material: Aluminium
Bobbin End Face Material: Polypropylene

Electrical Specification

Coil Resistance: 350 Ω ohms (+/- 10%)
Coil Inductance: 150mH (nom.)
Nominal Output: 20v peak – peak (note 1)
Minimum Speed: 30mm/sec (note 2)

Termination & Mating Parts

Termination: Screw M4 Stud
Mating Connection: N/A (see below)

Operating Temperature

Main Body and Internal Parts: -54°C to +120°C

Product Details

A Stainless Steel bodied rugged and durable sensor, fully epoxy sealed for use in harsh and demanding environments. Good voltage output for a wide range of applications. Mating Connections typically made with bare wire, M4 rings or Fork terminals. Customized versions, terminating accessories are available upon request.

**Note 1: Nominal output is a typical peak-peak voltage measured across a 10k ohm load using a 10DP, 60 tooth mild steel gear wheel with a diameter of 150mm rotating at 1000 rpm and with an air gap setting of 0.254mm (0.01")*

**Note 2 : Minimum speed in mm/second to generate 100 mV Peak-Peak output under standard test conditions as in note 1.*



CERTIFICATE No : 1628/98

INSTRUMENTATION AND CONTROL SERVICES (HEREFORD) LIMITED

UNIT 3, THE OLD FORGE INDUSTRIAL ESTATE, PETERCHURCH,
HEREFORD, HR2 0SD

Telephone: 01981 550011 Fax: 01981 550955

Email: ics@ics-herford.co.uk

Websites: www.ics-herford.co.uk & www.cablewireassembly.co.uk