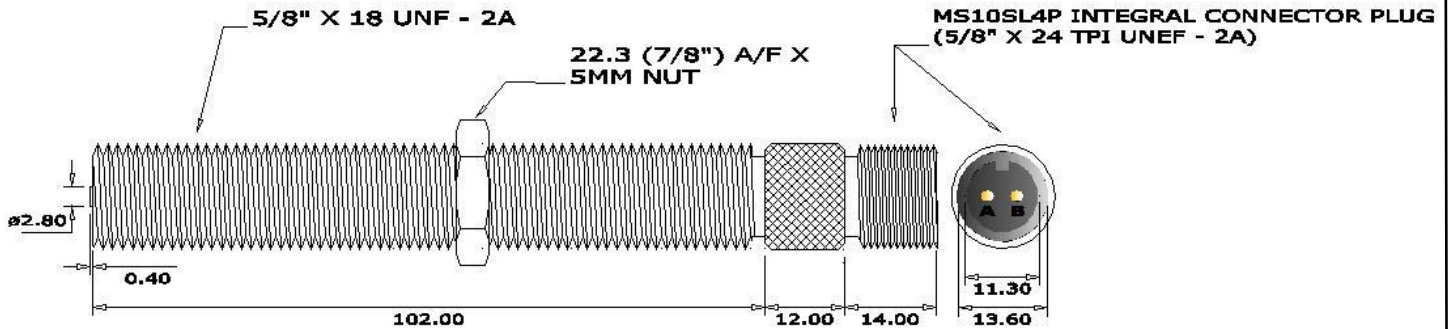




Magnetic Pick-up

MS-Circular Plug and Socket



Dimensions in mm unless otherwise stated

ICS Ltd Part Number: **MSS-i58102-K-02**

Description: **MS Circular Plug Magnetic Pick-up**

ISSUE

1.10

Body Specification

Main Body Thread: 5/8" X 18 UNF - 2A
Mating Conn. Thread: 5/8" x 24 TPI UNEF – 2A
Body Material: Stainless Steel Grade 303
Locknut: 22.3mm (7/8") AF x 5mm.
Locknut Material: Brass Zinc Plated or Stainless Steel
Bobbin End Face Material Polypropylene

Electrical Specification

Coil Resistance: 250 Ω ohms (+/- 10%)
Coil Inductance: 60mH (nom.)
Nominal Output: 25v peak – peak (note 1)
Minimum Speed: 21mm/sec (note 2)
Polarity: Pin B +Ve on approach of target

Termination & Mating Parts

Termination: MS10SL4P Integral connector Plug.
Mating Connection: MS10SL4S 2-Pin Socket

Operating Temperature

Main Body and Internal Parts: -54°C to +120°C

Product Details

Stainless Steel bodied rugged sensor, fully epoxy sealed for use in harsh and demanding environments. Good output voltage over a range of gear pitches 8DP to 48DP. Customized versions, mating cable assemblies are available upon request.

**Note 1: Nominal output is a typical peak-peak voltage measured across a 10k ohm load using a 10DP, 60 tooth mild steel gear wheel with a diameter of 150mm rotating at 1000 rpm and with an air gap setting of 0.254mm (0.01")*
**Note 2: Minimum speed in mm/second to generate 100 mV Peak-Peak output under standard test conditions as in note 1.*



CERTIFICATE No : 1628/98

INSTRUMENTATION AND CONTROL SERVICES (HEREFORD) LIMITED

UNIT 3, THE OLD FORGE INDUSTRIAL ESTATE, PETERCHURCH, HEREFORD, HR2 0SD

Telephone: 01981 550011 Fax: 01981 550955

Email: ics@ics-herford.co.uk

Websites: www.ics-herford.co.uk & www.cablewireassembly.co.uk