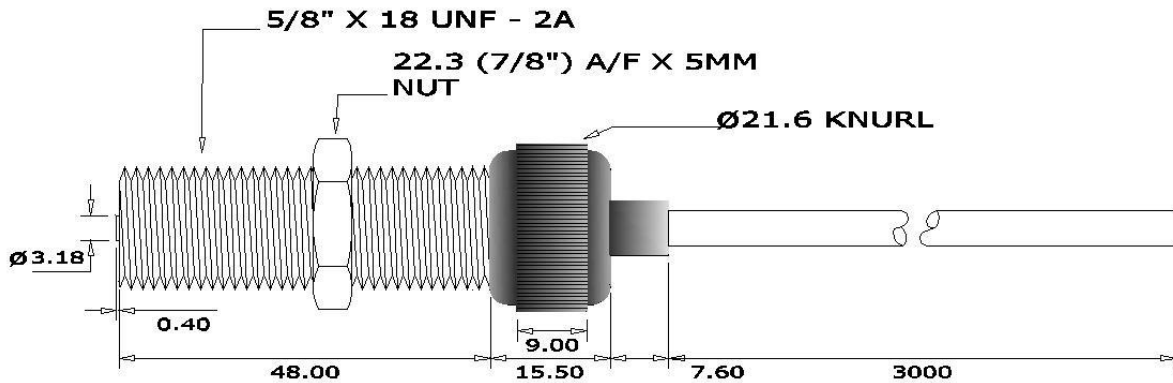




Magnetic Pick-up

CA-captive cable series



Dimensions in mm unless otherwise stated

ICS Ltd Part Number: **CAS-i5848-C-01-I300**

Description: **Captive Cable Magnetic Pick-up**

ISSUE

1.10

Body Specification

Main Body Thread: 5/8" X 18 UNF - 2A
Body Material: Stainless Steel Grade 303
Locknut: 22.3mm (7/8") AF x 5mm.
Locknut Material: Brass Zinc Plated or Stainless Steel
Bobbin End Face Material: Polypropylene
Captive Cable Cap: Polypropylene

Electrical Specification

Coil Resistance: 350 Ω ohms (+/-10%)
Coil Inductance: 150mH (nom.)
Nominal Output: 20v peak – peak (note 1)
Minimum Speed: 30mm/sec (note 2)
Polarity: Red Wire +Ve on approach of target

Termination & Mating Parts

Cable Type: Grey PVC twisted pair (24 AWG Red & Black) Lap Screened cable.
Length: 3m

Operating Temperature

Main Body and Internal Parts: -10°C to +85°C

Product Details

A stainless steel bodied sensor with moulded cable strain relief cap to aid installation. Terminated with a screened twisted pair cable to reduce hum and interference, free ends are pre-stripped and tinned 10mm ready for termination. Customized and terminated versions are available upon request.

**Note 1: Nominal output is a typical peak-peak voltage measured across a 10k ohm load using a 10DP, 60 tooth mild steel gear wheel with a diameter of 150mm rotating at 1000 rpm and with an air gap setting of 0.254mm (0.01")*

**Note 2: Minimum speed in mm/second to generate 100 mV Peak-Peak output under standard test conditions as in note 1.*



CERTIFICATE No : 1628/98

INSTRUMENTATION AND CONTROL SERVICES (HEREFORD) LIMITED

UNIT 3, THE OLD FORGE INDUSTRIAL ESTATE, PETERCHURCH, HEREFORD, HR2 0SD

Telephone: 01981 550011 Fax: 01981 550955

Email: ics@ics-herford.co.uk

Websites: www.ics-herford.co.uk & www.cablewireassembly.co.uk