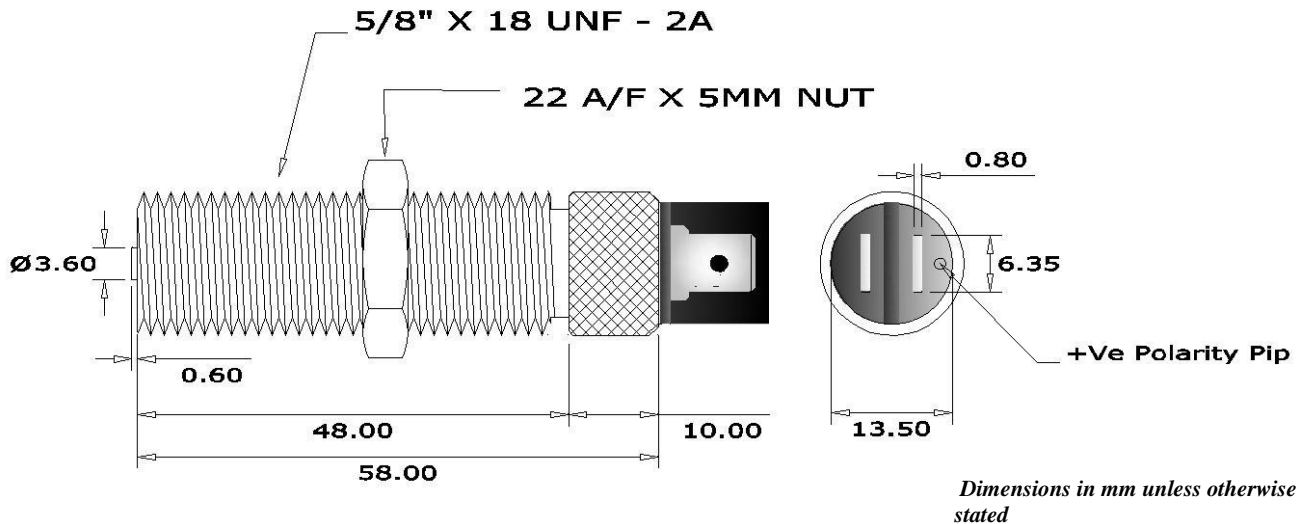




# Magnetic Pick-up

## B-Blade Series



ICS Ltd Part Number: **BS-I5848-K-03**

Description: **Blade Magnetic Pick-up**

ISSUE  
1.10

### Body Specification

**Main Body Thread:** 5/8" X 18 UNF - 2A  
**Body Material:** Stainless Steel  
**Locknut:** 5/8 UNF, 22.3mm A/F x 5mm.  
**Locknut Material:** Brass Zinc Plated or Stainless Steel  
**Bobbin End Face Material:** Polypropylene

### Electrical Specification

**Coil Resistance:** 150 Ω ohms (+/- 10%)  
**Coil Inductance:** 40mH (nom.)  
**Nominal Output:** 20v peak – peak (note 1)  
**Minimum Speed:** 30mm/sec (note 2)  
**Polarity:** Pip terminal -Ve on approach of target

### Termination & Mating Parts

**Termination:** 2 x (6.35mm x 0.8mm) (1/4") push-on blade  
**Mating Connection:** 2 x (6.35mm x 0.8mm) female push-on receptacle

### Operating Temperature

**Main Body and Internal Parts:** -54°C to +120°C

### Product Details

A rugged and durable Stainless Steel bodied sensor. Fully epoxy encapsulated with good output voltage for a wide range of applications. Customized versions, connector assemblies and accessories are available upon request.

*\*Note 1: Nominal output is a typical peak-peak voltage measured across a 10k ohm load using a 10DP, 60 tooth mild steel gear wheel with a diameter of 150mm rotating at 1000 rpm and with an air gap setting of 0.254mm (0.01")*

*\*Note 2: Minimum speed in mm/second to generate 100 mV Peak-Peak output under standard test conditions as in note 1.*



CERTIFICATE No : 1628/98

### INSTRUMENTATION AND CONTROL SERVICES (HEREFORD) LIMITED

UNIT 3, THE OLD FORGE INDUSTRIAL ESTATE, PETERCHURCH,  
HEREFORD, HR2 0SD

Telephone: 01981 550011 Fax: 01981 550955

Email: ics@ics-hereford.co.uk

Websites: www.ics-hereford.co.uk & www.cablewireassembly.co.uk