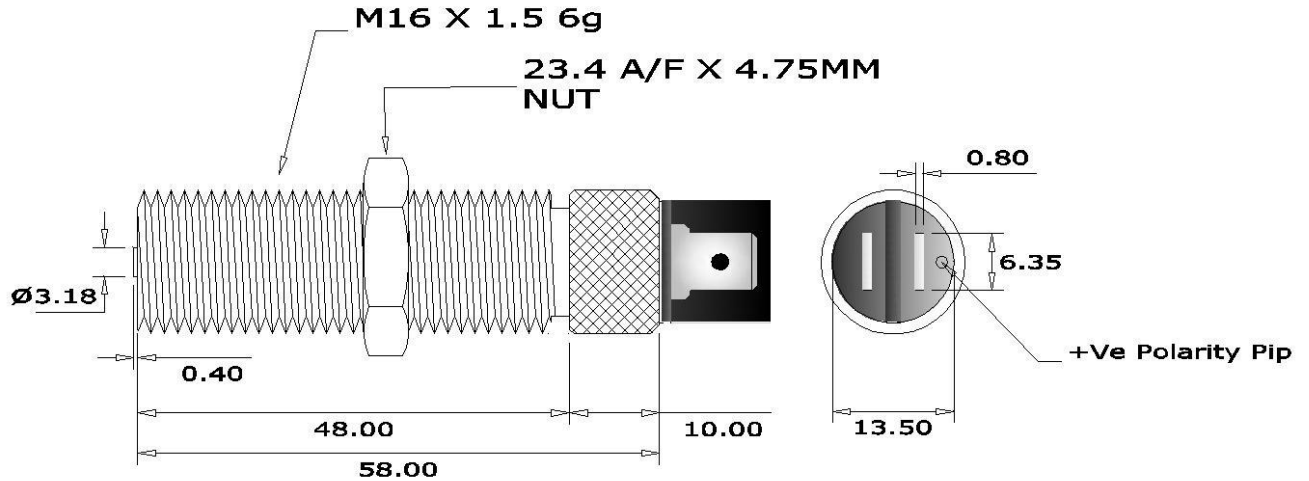




# Magnetic Pick-up

## B-Blade Series



Dimensions in mm unless otherwise stated

ICS Ltd Part Number: **BA-M1648-K-01**

Description: **Blade Magnetic Pick-up**

### ISSUE

1.10

### Body Specification

**Main Body Thread:** M16 X 1.5 6g  
**Body Material:** Aluminium  
**Locknut:** M16 X 1.5, 23.4mm AF x 4.75mm.  
**Locknut Material:** Aluminium  
**Bobbin End Face Material:** Polypropylene

### Electrical Specification

**Coil Resistance:** 350  $\Omega$  ohms (+/- 10%)  
**Coil Inductance:** 150mH (nom.)  
**Nominal Output:** 20v peak – peak (note 1)  
**Minimum Speed:** 30mm/sec (note 2)  
**Polarity:** Pip terminal +Ve on approach of target

### Termination & Mating Parts

**Termination:** 2 x (6.35mm x 0.8mm) (1/4") push-on blade  
**Mating Connection:** 2 x (6.35mm x 0.8mm) female push-on receptacle

### Operating Temperature

**Main Body and Internal Parts:** -54°C to +120°C

### Product Details

A lightweight Aluminium bodied durable sensor, fully epoxy encapsulated with good output voltage for a wide range of applications.

Customized versions, connector assemblies and accessories are available upon request.

\*Note 1: Nominal output is a typical peak-peak voltage measured across a 10k ohm load using a 10DP, 60 tooth mild steel gear wheel with a diameter of 150mm rotating at 1000 rpm and with an air gap setting of 0.254mm (0.01')

\*Note 2: Minimum speed in mm/second to generate 100 mV Peak-Peak output under standard test conditions as in note 1.



CERTIFICATE No : 1628/98

### INSTRUMENTATION AND CONTROL SERVICES (HEREFORD) LIMITED

UNIT 3, THE OLD FORGE INDUSTRIAL ESTATE, PETERCHURCH, HEREFORD, HR2 0SD

Telephone: 01981 550011 Fax: 01981 550955

Email: ics@ics-herford.co.uk

Websites: www.ics-herford.co.uk & www.cablewireassembly.co.uk